

MACLAREN



The Most Efficient Unit All Year Round*

Now with SES - Self Evaporation System

MacLaren Unicon, the innovative idea of No outdoor unit, opens new avenues in the HVAC industry. Italian designed with building aesthetics in mind, MacLaren Unicon can be simply installed by drilling two ventilation holes on any wall, thickness and even glass. As easy as 1-2-3! The silent operating mode is just that, you won't even know its on.

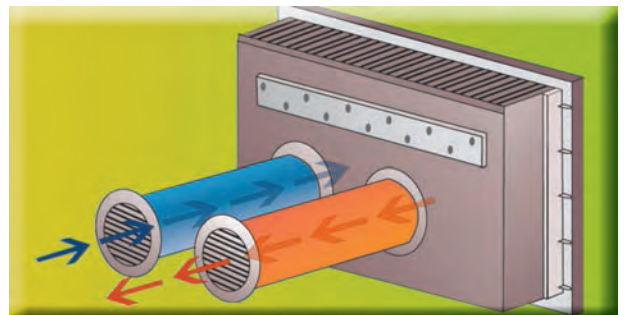
MacLaren Unicon has one of the lowest noise levels in its category. Unicon Fresh Air System® guarantees clean air and ideal climate consistently. The units' low energy consumption assists in low electricity bills, and is environmentally friendly. MacLaren Unicon has a solution for getting rid of moisture with a built-in heat pump requiring no drainage systems, therefore maintaining exterior building aesthetics.

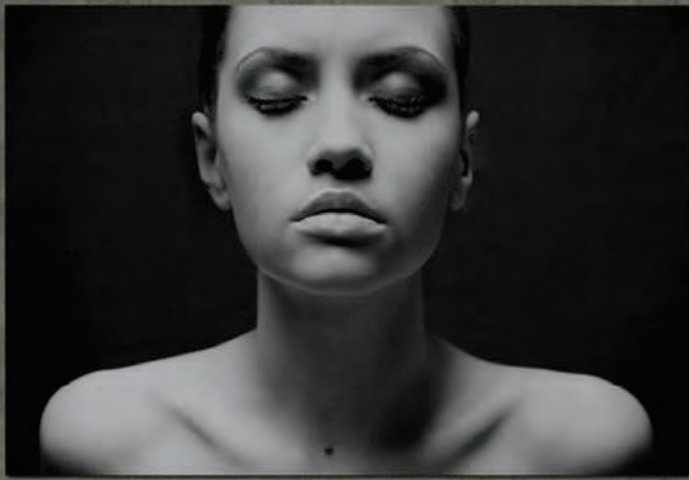
Design

- No outdoor unit.
- Allows fitment in any building without interfering with building appearance.
- Designed to replace old fashioned office console.
- Designed to fit townhouses, conforming with Body corporate restrictions.
- Easy installation, no HVAC skills required.
- Modern Italian design.

Two-duct design

- Requires only two ducts for air circulation.
- Small diameter holes prevent security breaches into the building.
- Can fit any wall/ glass thickness.
- No collar needed.
- Installation done from the interior only
(especially convenient and cost effective in high-rise buildings).





Environment

- Unicon Fresh Air System refreshes the air in the room by switching the intake to the outside air.
- Environmentally friendly refrigerant R410A,
- Highly efficient power consumption.



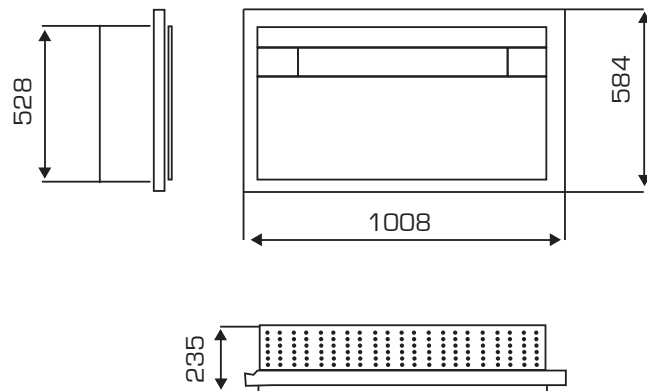
Heat Pump

- Unicon can be installed without drainpipes.
- No drainage heat pump.
- Saves up to 80% electricity consumption.

Space Savers

- Space saving 23cm thickness.
- Can be fitted also as a high wall.

MODEL	UNIT	MU30	MU40
Cooling Performance			
Refrigerating Capacity	BTU	10,500	14,000
Cooling Rated Input	W	980	1,340
Cooling Rated Current	A	4.3	6
Heat Pump Performance			
Heating Capacity	W	11,000	14,500
Heating Rated Input	W	860	1,300
Heating Rated Current	A	3.8	5.85
Refrigerant Type		R410	R410
Max Pressure	Mpa	4	4.1
Air Flow (Max)	m ³ /h	450	500
Noise Level	dB(A)	37-46	37-48
Dehumidifying	l/h	1	1.3
Exhaust Pipes Diameter	mm	162	162
Net Weight	KG	42	44
Gross Weight	KG	50	52
Dimension (WxHxD)	mm	1008x584x235	1008x584x245
Package Dimension (WxHxD)	mm	1235x660x347	1240x660x350



Power Supply: 220 - 240v/50HZ -

The above mentioned data are indicative and subjected to change without notice.

*Most efficient in its "no drain" category for all year round use when combined 50% heating and 50% cooling.